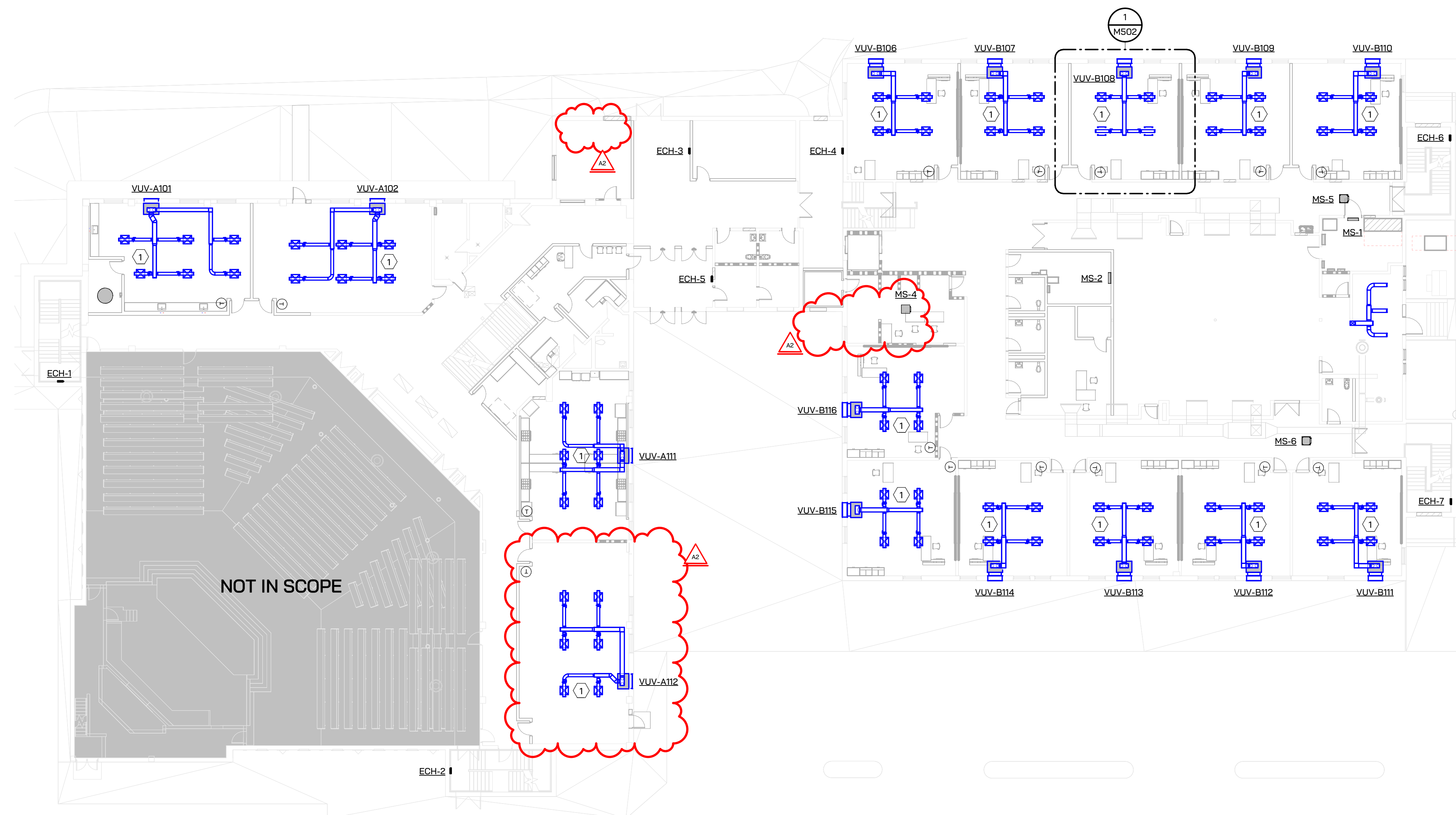


| ISSUE DATE | ISSUED FOR |
|------------|------------------|
| 07/28/2023 | MEP Pre-Purchase |
| 08/03/2023 | Addendum 02 |

| | |
|----------|----------|
| DRAWN | Author |
| CHECKED | Checker |
| APPROVED | Approver |



OVERALL FIRST FLOOR SHEET METAL PLAN
1/16" = 1'-0"

PROJECT
Wayne RESA Beacon
Day Treatment Center
Relocation - Phase 1
BP1 MEP Pre-Purchase
Taylor, MI

SHEET
OVERALL
FIRST FLOOR
MECHANICAL
PLAN

PROJECT NUMBER
2023-52

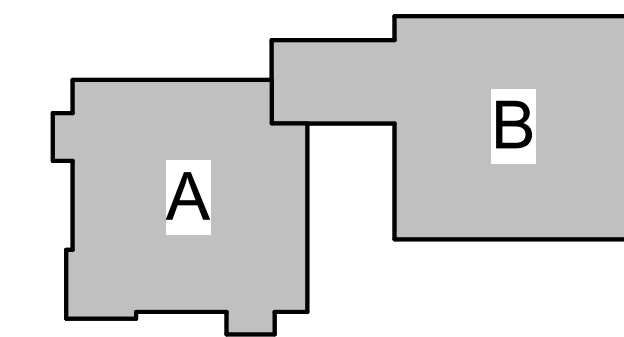
SHEET NUMBER
M310

236 MILL STREET
ROCHESTER, MI
48307
T: 248.656.1377
french@aia.com
© FRENCH associates, inc.

SHEET METAL KEYED NOTES

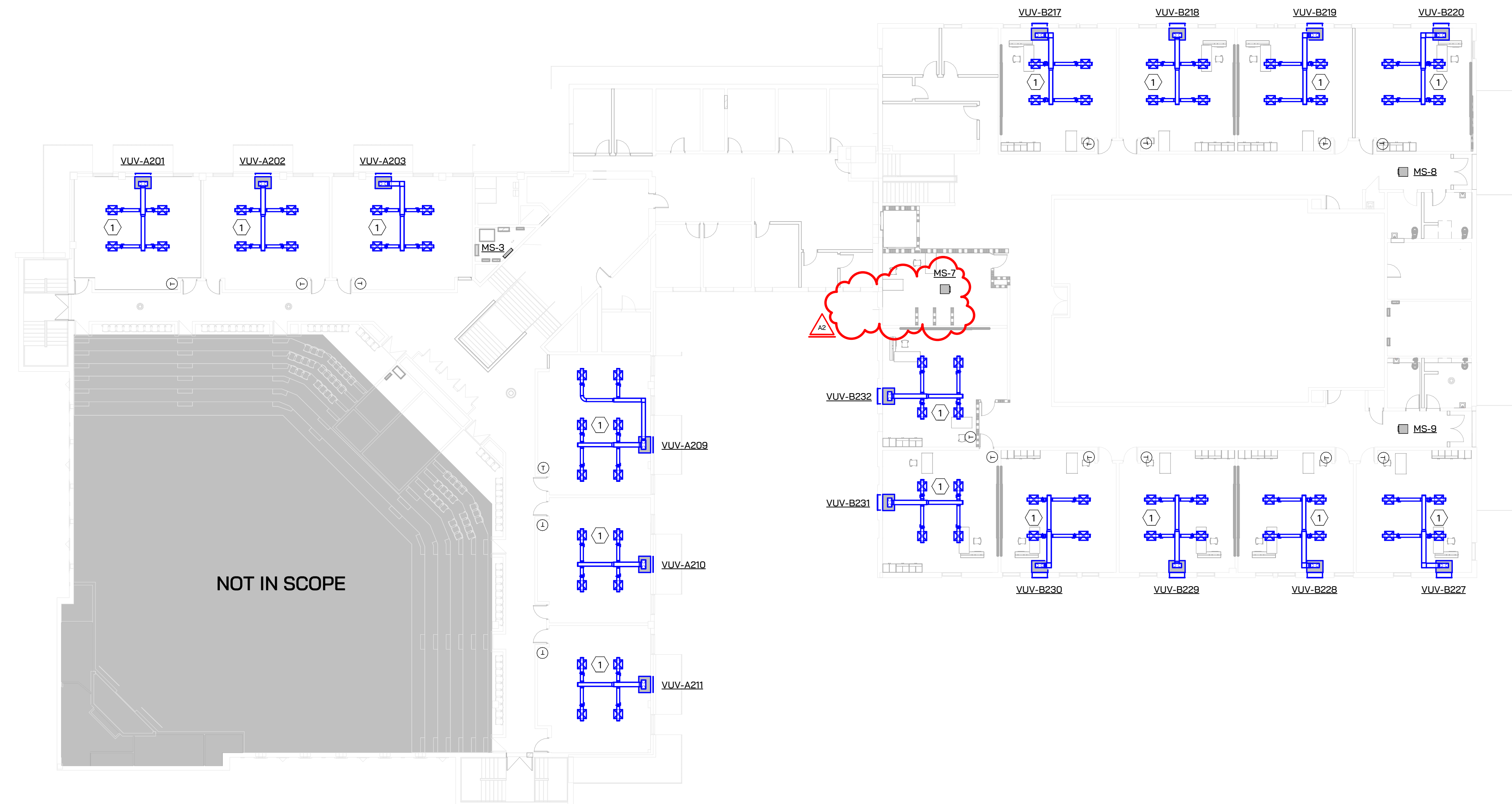
1 REFER TO TYP. CLASSROOM MECHANICAL PLANS ON M502.

KEY PLAN



| ISSUE DATE | ISSUED FOR |
|------------|------------------|
| 07/28/2023 | MEP Pre-Purchase |
| 08/03/2023 | Addendum 02 |

| | |
|----------|----------|
| DRAWN | Author |
| CHECKED | Checker |
| APPROVED | Approver |



OVERALL SECOND FLOOR SHEET METAL PLAN
1/16" = 1'-0"

PROJECT
Wayne RESA Beacon
Day Treatment Center
Relocation - Phase 1
BP1 MEP Pre-Purchase
Taylor, MI

SHEET
OVERALL
SECOND
FLOOR
MECHANICAL
PLAN

PROJECT NUMBER
2023-52

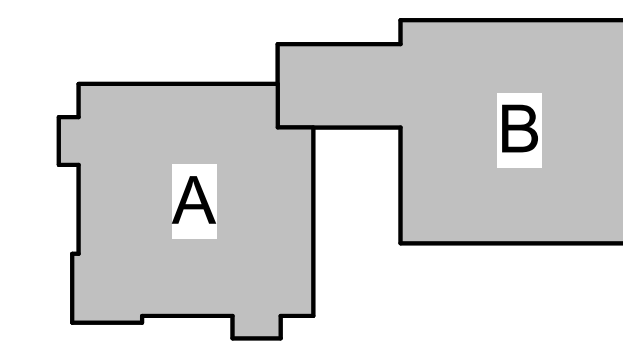
SHEET NUMBER
M320

236 MILL STREET
ROCHESTER, MI
48307
T: 248.656.1377
french@aia.com
© FRENCH associates, inc.

SHEET METAL KEYED NOTES

1 REFER TO TYP. CLASSROOM MECHANICAL PLANS ON M502.

KEY PLAN



| ISSUE DATE | ISSUED FOR |
|------------|------------------|
| 07/28/2023 | MEP Pre-Purchase |
| 08/03/2023 | Addendum 02 |
| | |
| | |
| | |
| | |
| | |
| | |
| | |
| DRAWN | Author |
| CHECKED | Checker |
| APPROVED | Approver |



MECHANICAL ROOF PLAN
1/16" = 1'-0"

f
architects planners interiors
FRENCH associates

236 MILL STREET
ROCHESTER, MI 48307
T: 248.656.1377
frenchhqs.com
© FRENCH ASSOCIATES, INC.

PROJECT
Wayne RESA Beacon Day Treatment Center Relocation - Phase 1 BP1 MEP Pre-Purchase Taylor, MI

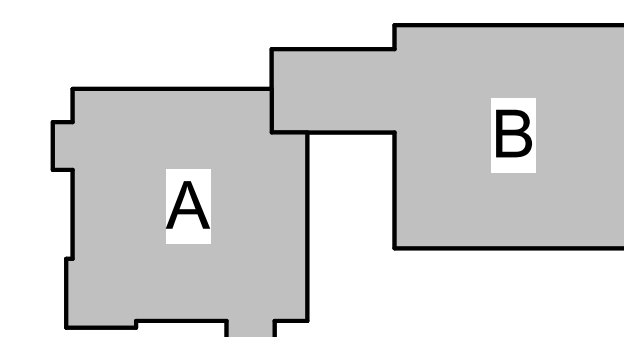
SHEET
MECHANICAL ROOF PLAN

PROJECT NUMBER
2023-52

SHEET NUMBER
M330

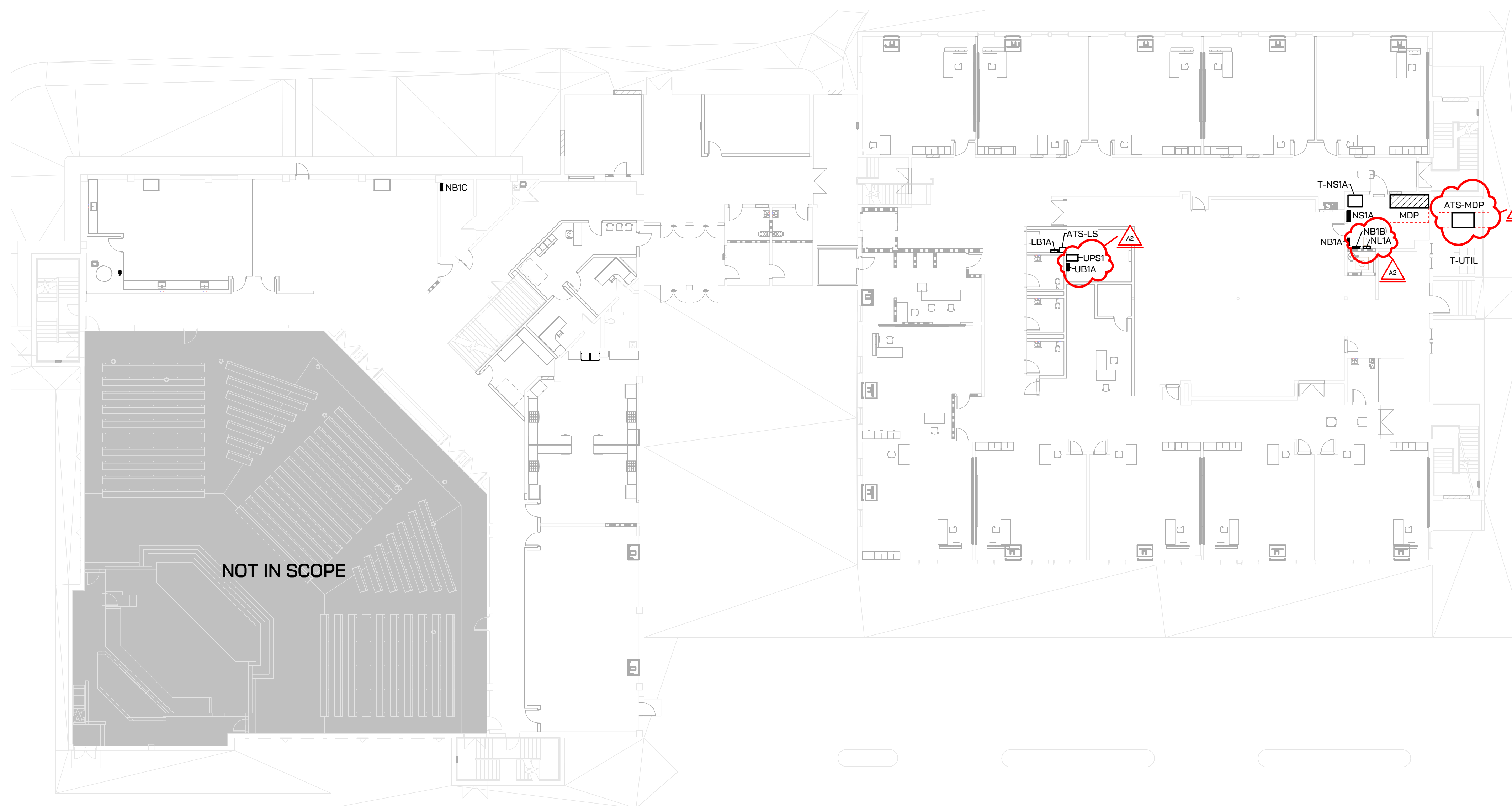
202302 BEACON DAY TREATMENT CENTER RENOVATION

KEY PLAN



| ISSUE DATE | ISSUED FOR |
|------------|------------------|
| 07/14/2023 | MEP Pre-Purchase |
| 08/03/2023 | Addendum 02 |

| | |
|----------|----------|
| DRAWN | Author |
| CHECKED | Checker |
| APPROVED | Approver |




OVERALL FIRST FLOOR POWER PLAN
 1/16" = 1'-0"



236 MILL STREET
 ROCHESTER, MI
 48307
 T: 248.656.1377
 french@french.com
 © FRENCH ASSOCIATES, INC.

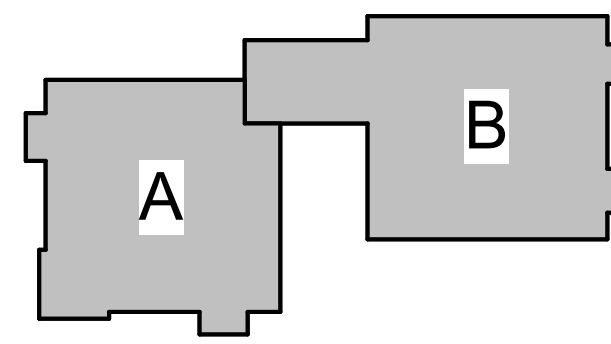
PROJECT
**Wayne RESA Beacon
 Day Treatment Center
 Relocation - Phase 1
 BP1 MEP Pre-Purchase**
 Taylor, MI

SHEET
**OVERALL
 FIRST FLOOR
 POWER PLAN**

PROJECT NUMBER
2023-52

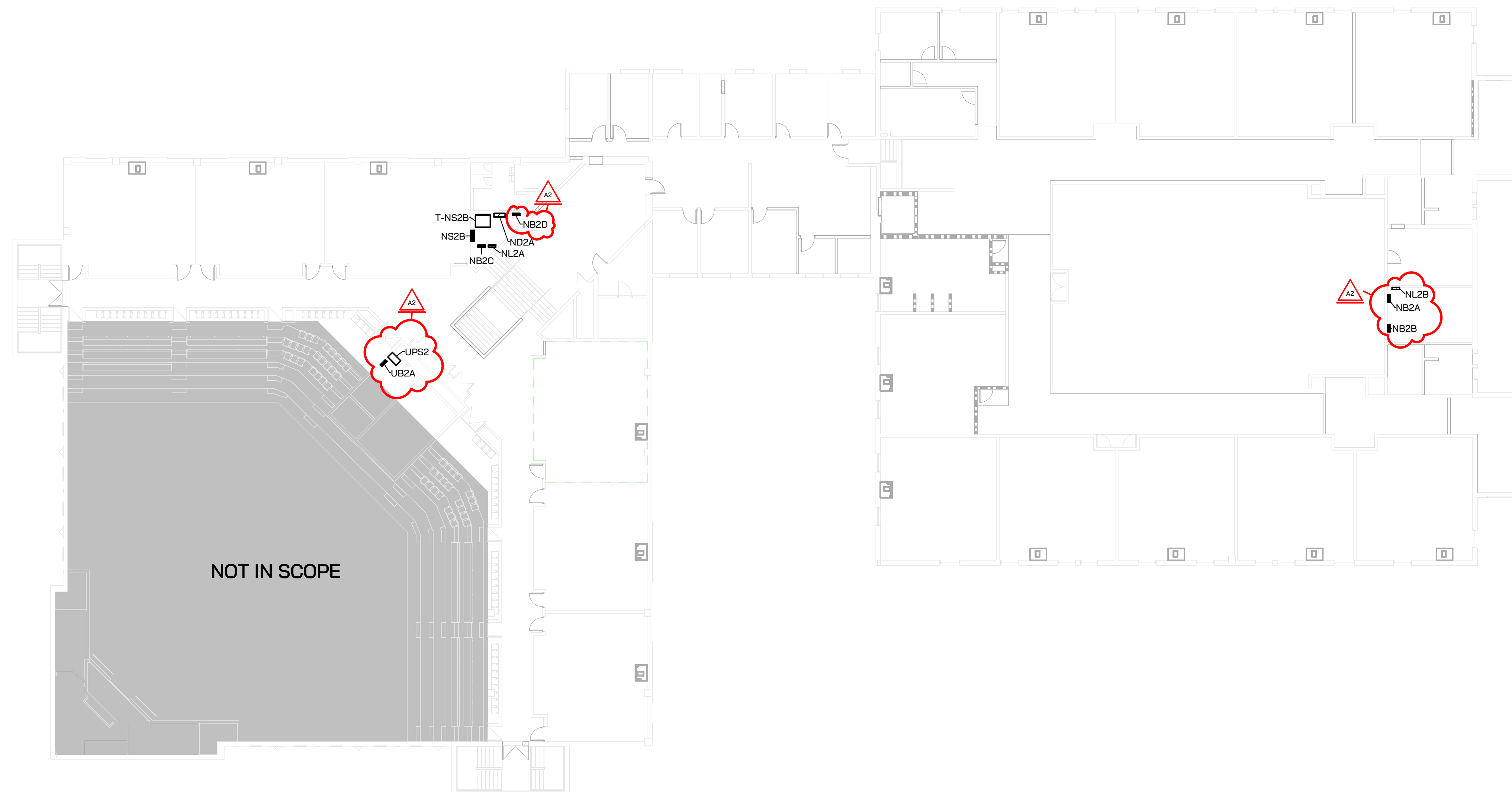
SHEET NUMBER
E110

KEY PLAN



| ISSUE DATE | ISSUED FOR |
|------------|------------------|
| 07/14/2023 | MEP Pre-Purchase |
| 08/03/2023 | Addendum 02 |
| | |
| | |
| | |
| | |
| | |

| | |
|----------|----------|
| DRAWN | Author |
| CHECKED | Checker |
| APPROVED | Approver |



OVERALL SECOND FLOOR POWER PLAN
1/16" = 1'-0"

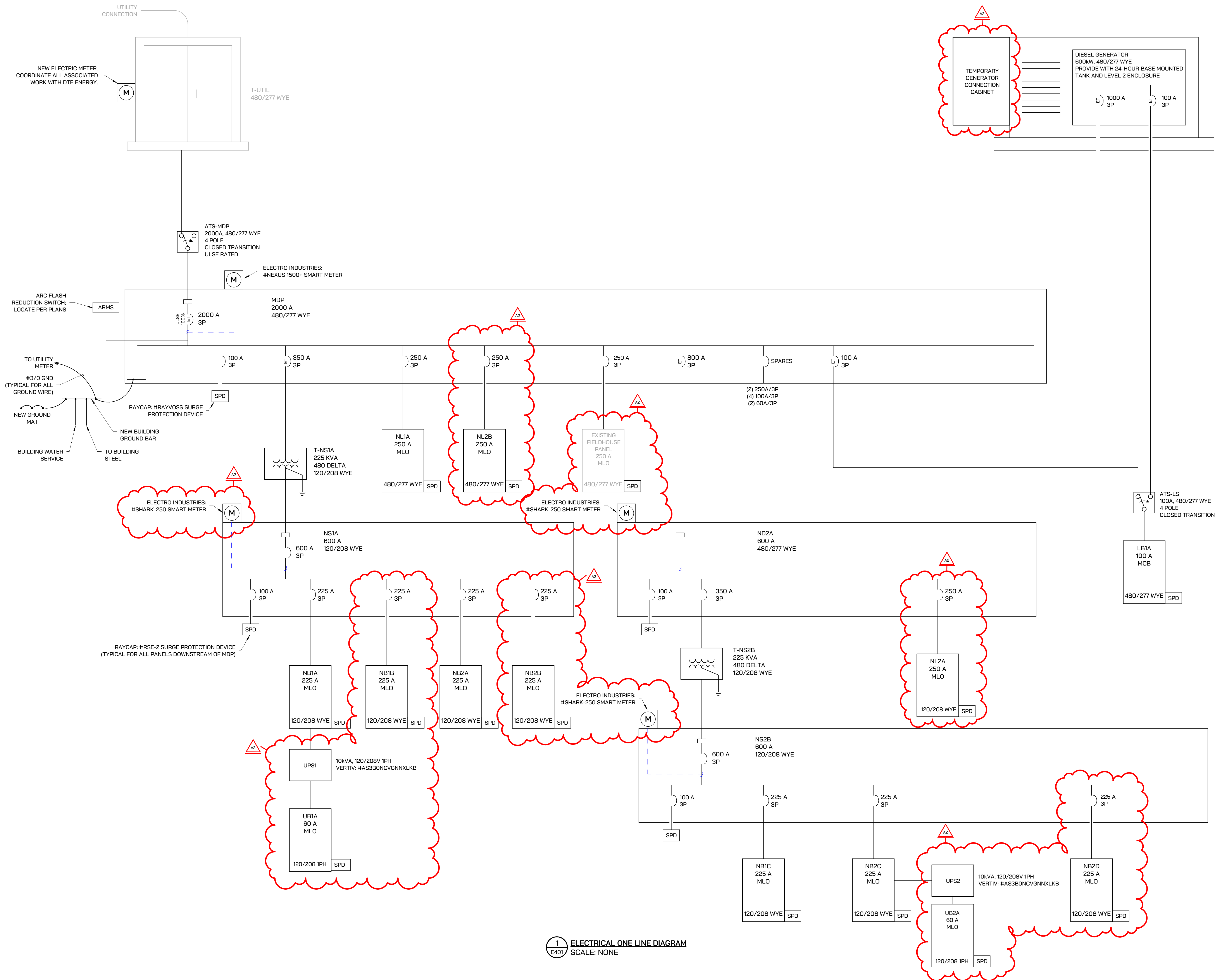
236 MILL STREET
ROCHESTER, MI
48307
T: 248.656.1377
french@fria.com
© FRENCH associates, inc.

PROJECT
Wayne RESA Beacon
Day Treatment Center
Relocation - Phase 1
BP1 MEP Pre-Purchase
Taylor, MI

SHEET
OVERALL
SECOND
FLOOR
POWER PLAN

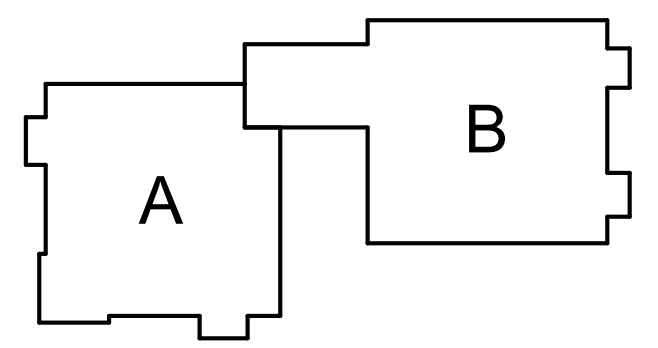
PROJECT NUMBER
2023-52

SHEET NUMBER
E120



1
E401 ELECTRICAL ONE LINE DIAGRAM
SCALE: NONE

KEY PLAN



| ISSUE DATE | ISSUED FOR |
|------------|------------------|
| 07/14/2023 | MEP Pre-Purchase |
| 08/03/2023 | Addendum 02 |

| | |
|----------|----------|
| DRAWN | Author |
| CHECKED | Checker |
| APPROVED | Approver |

FRENCH associates
architects planners interiors

236 MILL STREET
ROCHESTER, MI
48307
T: 248.656.1377
french@aia.com
© FRENCH ASSOCIATES, INC.

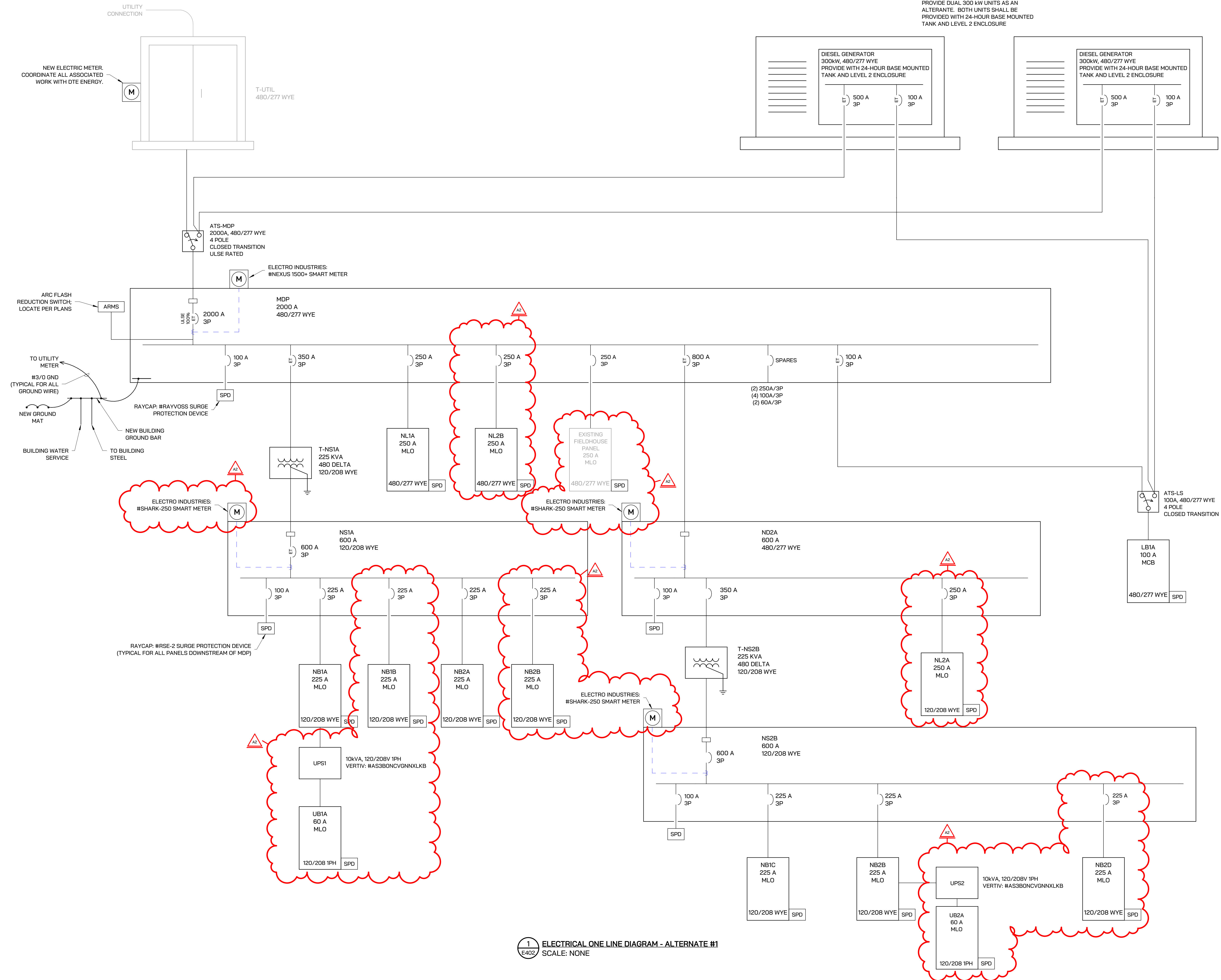
PROJECT
Wayne RESA Beacon Day Treatment Center Relocation - Phase 1 BP1 MEP Pre-Purchase
Taylor, MI

SHEET
ELECTRICAL ONE LINE DIAGRAM

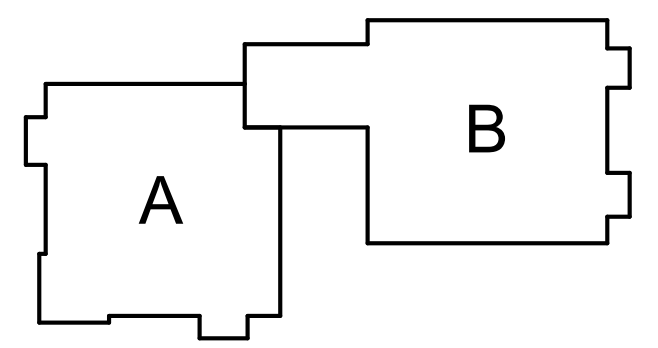
PROJECT NUMBER
2023-52

SHEET NUMBER
E401

ALTERNATE #1:
 PROVIDE DUAL 300 kW UNITS AS AN
 ALTERNATE. BOTH UNITS SHALL BE
 PROVIDED WITH 24-HOUR BASE MOUNTED
 TANK AND LEVEL 2 ENCLOSURE



KEY PLAN



| ISSUE DATE | ISSUED FOR |
|------------|------------------|
| 07/14/28 | MEP Pre-Purchase |
| 08/03/2023 | Addendum 02 |

| | |
|----------|----------|
| DRAWN | Author |
| CHECKED | Checker |
| APPROVED | Approver |

236 MILL STREET
 ROCHESTER, MI
 48307
 T: 248.656.1377
 french@french.com
 © FRENCH ASSOCIATES, INC.

PROJECT
**Wayne RESA Beacon
 Day Treatment Center
 Relocation - Phase 1
 BP1 MEP Pre-Purchase**
 Taylor, MI

SHEET
**ELECTRICAL
 ONE LINE
 DIAGRAM -
 ALTERNATE
 #1**

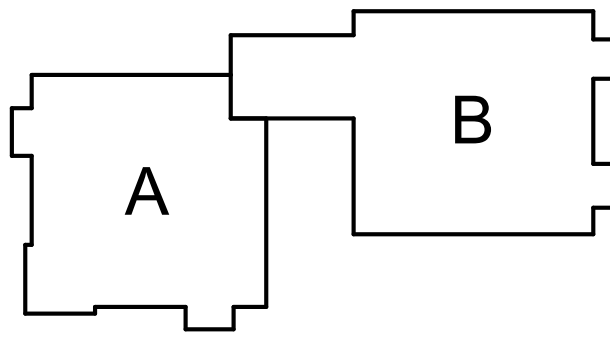
PROJECT NUMBER
2023-52

SHEET NUMBER
E402

| PANEL: NB2B | | | | | | | | | | | | | | |
|----------------------------|-----------------------------------|---------------|------------------|---|-----------------------------|---------|-------|------|---------------------|---------------------|--|--|--|--|
| LOCATION: GYM STORAGE B224 | | | | | VOLTS: 120/208 WYE, 3PH, 4W | | | | | A.I.C. RATING: 35kA | | | | |
| FED FROM: NSIA | | | | | RATING: 225 A, MLO | | | | | MOUNTING: SURFACE | | | | |
| CKT | CIRCUIT DESCRIPTION | TRIP | POLES | A | B | C | POLES | TRIP | CIRCUIT DESCRIPTION | CKT | | | | |
| 1 | Receptacle H.S. CLASSROOM B227 | 20 A | 1 | 360 | 545 | | | 1 | 20 A | 2 | | | | |
| 3 | Receptacle Room B227 | 20 A | 1 | | 540 | 725 | | 1 | 20 A | 4 | | | | |
| 5 | H.S. CLASSROOM B227 | 20 A | 1 | | | | 905 | 1354 | 2 | 6 | | | | |
| 7 | Receptacle H.S. CLASSROOM B227 | 20 A | 1 | 540 | 1354 | | | | 20 A | 8 | | | | |
| 9 | Receptacle H.S. CLASSROOM B228 | 20 A | 1 | | 360 | 360 | | 1 | 20 A | 10 | | | | |
| 11 | Receptacle Room B228 | 20 A | 1 | | | | 900 | 900 | 1 | 12 | | | | |
| 13 | Room B228 | 20 A | 1 | 725 | 360 | | | 1 | 20 A | 14 | | | | |
| 15 | Receptacle H.S. CLASSROOM B228 | 20 A | 1 | | 540 | 360 | | 1 | 20 A | 16 | | | | |
| 17 | Receptacle H.S. CLASSROOM B229 | 20 A | 1 | | | | 360 | 1080 | 1 | 18 | | | | |
| 19 | Receptacle Room B229 | 20 A | 1 | 720 | 0 | | | 1 | 20 A | 20 | | | | |
| 21 | Room B229 | 20 A | 1 | | 905 | 0 | | 1 | 20 A | 22 | | | | |
| 23 | Receptacle H.S. CLASSROOM B230 | 20 A | 1 | | | | 360 | 0 | 1 | 24 | | | | |
| 25 | Receptacle Room B230 | 20 A | 1 | 720 | 0 | | | 1 | 20 A | 26 | | | | |
| 27 | Room B230 | 20 A | 1 | | 905 | 0 | | 1 | 20 A | 28 | | | | |
| 29 | Receptacle H.S. CLASSROOM B230 | 20 A | 1 | | | | 540 | 0 | 1 | 30 | | | | |
| 31 | Receptacle H.S. CLASSROOM B231 | 20 A | 1 | 360 | 0 | | | 1 | 20 A | 32 | | | | |
| 33 | H.S. CLASSROOM B231 | 20 A | 1 | | 905 | 0 | | 1 | 20 A | 34 | | | | |
| 35 | Receptacle Room B231 | 20 A | 1 | | | | 720 | 0 | 1 | 36 | | | | |
| 37 | Receptacle H.S. CLASSROOM B231 | 20 A | 1 | 720 | 0 | | | 1 | 20 A | 38 | | | | |
| 39 | Receptacle H.S. SCIENCE B232 | 20 A | 1 | | 360 | 0 | | 1 | 20 A | 40 | | | | |
| 41 | Receptacle Room B232, B232-Plenum | 20 A | 1 | | | | 900 | 0 | 1 | 42 | | | | |
| 43 | Receptacle Room B232-Plenum, B232 | 20 A | 1 | 720 | 0 | | | 1 | 20 A | 44 | | | | |
| 45 | Room B232, B232-Plenum | 20 A | 1 | | 545 | 0 | | 1 | 20 A | 46 | | | | |
| 47 | SPARE | 20 A | 1 | | | | 0 | 0 | 1 | 48 | | | | |
| 49 | SPARE | 20 A | 1 | 0 | 0 | | | 1 | 20 A | 50 | | | | |
| 51 | SPARE | 20 A | 1 | | 0 | 0 | | 1 | 20 A | 52 | | | | |
| 53 | SPARE | 20 A | 1 | | | | 0 | 0 | 1 | 54 | | | | |
| 55 | SPARE | 20 A | 1 | 0 | 0 | | | 1 | 20 A | 56 | | | | |
| 57 | SPARE | 20 A | 1 | | 0 | 0 | | 1 | 20 A | 58 | | | | |
| 59 | SPARE | 20 A | 1 | | | | 0 | 0 | 1 | 60 | | | | |
| 61 | SPARE | 20 A | 1 | 0 | 0 | | | 1 | 20 A | 62 | | | | |
| 63 | SPARE | 20 A | 1 | | 0 | 0 | | 1 | 20 A | 64 | | | | |
| 65 | SPARE | 20 A | 1 | | | | 0 | 0 | 1 | 66 | | | | |
| 67 | SPARE | 20 A | 1 | 0 | 0 | | | 1 | 20 A | 68 | | | | |
| 69 | SPARE | 20 A | 1 | | 0 | 0 | | 1 | 20 A | 70 | | | | |
| 71 | SPARE | 20 A | 1 | | | | 0 | 0 | 1 | 72 | | | | |
| 73 | SPARE | 20 A | 1 | 0 | 0 | | | 1 | 20 A | 74 | | | | |
| 75 | SPARE | 20 A | 1 | | 0 | 0 | | 1 | 20 A | 76 | | | | |
| 77 | SPARE | 20 A | 1 | | | | 0 | 0 | 1 | 78 | | | | |
| 79 | SPARE | 20 A | 1 | 0 | 0 | | | 3 | 30 A | 80 | | | | |
| 81 | SPARE | 20 A | 1 | | 0 | 0 | | 3 | 30 A | 82 | | | | |
| 83 | SPARE | 20 A | 1 | | | | 0 | 0 | | 84 | | | | |
| TOTAL LOAD: | | | | 7124 VA | 6505 VA | 8019 VA | | | | | | | | |
| TOTAL AMPS: | | | | 60 A | 54 A | 68 A | | | | | | | | |
| LOAD CLASSIFICATION | CONNECTED LOAD | DEMAND FACTOR | ESTIMATED DEMAND | PANEL TOTALS | | | | | | | | | | |
| HVAC | 2708 VA | 100.00% | 2708 VA | TOTAL CONN. LOAD: 21648 VA TOTAL EST. DEMAND LOAD: 17198 VA TOTAL CONN. LOAD (A): 60 A TOTAL EST. DEMAND (A): 48 A | | | | | | | | | | |
| Other | 0 VA | 0.00% | 0 VA | | | | | | | | | | | |
| Receptacle | 18900 VA | 76.46% | 14450 VA | | | | | | | | | | | |
| CLOCK | 40 VA | 100.00% | 40 VA | | | | | | | | | | | |
| NOTES: | | | | SQUARE D NQ PANEL OR EQUIVALENT | | | | | | | | | | |

| PANEL: NB2D | | | | | | | | | | | | | | |
|---------------------|--|---------------|------------------|--|-----------------------------|----------|-------|------|---------------------|---------------------|----|--|--|--|
| LOCATION: NS2B | | | | | VOLTS: 120/208 WYE, 3PH, 4W | | | | | A.I.C. RATING: 25kA | | | | |
| FED FROM: NS2B | | | | | RATING: 225 A, MLO | | | | | MOUNTING: SURFACE | | | | |
| CKT | CIRCUIT DESCRIPTION | TRIP | POLES | A | B | C | POLES | TRIP | CIRCUIT DESCRIPTION | CKT | | | | |
| 1 | Receptacle M.S. SOCIAL WORKER-2 B206-2 | 20 A | 1 | 900 | 2000 | | | | 2 | 20 A | 2 | | | |
| 3 | Receptacle M.S. SOCIAL WORKER-3 B205-3 | 20 A | 1 | | 900 | 2000 | | | 1 | 20 A | 4 | | | |
| 5 | Receptacle M.S. SOCIAL WORKER-3 B204-3 | 20 A | 1 | | | | 900 | 540 | 1 | 20 A | 6 | | | |
| 7 | Receptacle DIRECTOR-2 B203-2 | 20 A | 1 | 720 | 905 | | | | 1 | 20 A | 8 | | | |
| 9 | Receptacle M.S. SOCIAL WORKER-2 B202-2 | 20 A | 1 | | 900 | 2000 | | | 2 | 20 A | 10 | | | |
| 11 | Receptacle SPEECH-3 B201-3 | 20 A | 1 | | | | 900 | 2000 | 2 | 20 A | 12 | | | |
| 13 | Receptacle | 20 A | 1 | 1260 | 540 | | | | 1 | 20 A | 14 | | | |
| 15 | Receptacle H.S. SOCIAL WORKER-3 B211-3 | 20 A | 1 | | 900 | 725 | | | 1 | 20 A | 16 | | | |
| 17 | Receptacle H.S. SOCIAL WORKER-2 B210-2 | 20 A | 1 | | | | 900 | 1085 | 1 | 20 A | 18 | | | |
| 19 | Receptacle | 20 A | 1 | 1080 | 680 | | | | 1 | 20 A | 20 | | | |
| 21 | Receptacle | 20 A | 1 | | 540 | 2000 | | | 2 | 20 A | 22 | | | |
| 23 | Receptacle | 20 A | 1 | | | 720 | 2000 | | 1 | 20 A | 24 | | | |
| 25 | Receptacle | 20 A | 1 | 540 | 720 | | | | 1 | 20 A | 26 | | | |
| 27 | Receptacle | 20 A | 1 | | 720 | 545 | | | 1 | 20 A | 28 | | | |
| 29 | Receptacle CLINIC-3 B207-3 | 20 A | 1 | | | 900 | 1260 | | 1 | 20 A | 30 | | | |
| 31 | RECEPTION/ WAITING A106 | 20 A | 1 | 725 | 1260 | | | | 1 | 20 A | 32 | | | |
| 33 | Receptacle Room B101, B107 | 20 A | 1 | | 900 | 2000 | | | 2 | 20 A | 34 | | | |
| 35 | Receptacle SECURITY OFFICE B235 | 20 A | 1 | | | 540 | 2000 | | 1 | 20 A | 36 | | | |
| 37 | Receptacle SECURITY OFFICE B235 | 20 A | 1 | 360 | 360 | | | | 1 | 20 A | 38 | | | |
| 39 | Receptacle UNIT B WEST STAIR B103 | 20 A | 1 | | 540 | 0 | | | 1 | 20 A | 40 | | | |
| 41 | SPARE | 20 A | 1 | | | 0 | 0 | | 1 | 20 A | 42 | | | |
| 43 | SPARE | 20 A | 1 | 0 | 0 | | | | 1 | 20 A | 44 | | | |
| 45 | SPARE | 20 A | 1 | | 0 | 0 | | | 1 | 20 A | 46 | | | |
| 47 | SPARE | 20 A | 1 | | | 0 | 0 | | 1 | 20 A | 48 | | | |
| 49 | SPARE | 20 A | 1 | 0 | 0 | | | | 1 | 20 A | 50 | | | |
| 51 | SPARE | 20 A | 1 | | 0 | 0 | | | 1 | 20 A | 52 | | | |
| 53 | SPARE | 20 A | 1 | | | 0 | 0 | | 1 | 20 A | 54 | | | |
| 55 | SPARE | 20 A | 1 | 0 | 0 | | | | 1 | 20 A | 56 | | | |
| 57 | SPARE | 20 A | 1 | | 0 | 0 | | | 1 | 20 A | 58 | | | |
| 59 | SPARE | 20 A | 1 | | | 0 | 0 | | 1 | 20 A | 60 | | | |
| 61 | SPARE | 20 A | 1 | 0 | 0 | | | | 1 | 20 A | 62 | | | |
| 63 | SPARE | 20 A | 1 | | 0 | 0 | | | 1 | 20 A | 64 | | | |
| 65 | SPARE | 20 A | 1 | | | 0 | 0 | | 1 | 20 A | 66 | | | |
| 67 | SPARE | 20 A | 1 | 0 | 0 | | | | 1 | 20 A | 68 | | | |
| 69 | SPARE | 20 A | 1 | | 0 | 0 | | | 1 | 20 A | 70 | | | |
| 71 | SPARE | 20 A | 1 | | | 0 | 0 | | 1 | 20 A | 72 | | | |
| 73 | SPARE | 20 A | 1 | 0 | 0 | | | | 1 | 20 A | 74 | | | |
| 75 | SPARE | 20 A | 1 | | 0 | 0 | | | 1 | 20 A | 76 | | | |
| 77 | SPARE | 20 A | 1 | | | 0 | 0 | | 1 | 20 A | 78 | | | |
| 79 | SPARE | 20 A | 1 | 0 | 0 | | | | 3 | 30 A | 80 | | | |
| 81 | SPARE | 20 A | 1 | | 0 | 0 | | | 3 | 30 A | 82 | | | |
| 83 | SPARE | 20 A | 1 | | | 0 | 0 | | | 84 | | | | |
| TOTAL LOAD: | | | | 12050 VA | 14670 VA | 13745 VA | | | | | | | | |
| TOTAL AMPS: | | | | 100 A | 124 A | 117 A | | | | | | | | |
| LOAD CLASSIFICATION | CONNECTED LOAD | DEMAND FACTOR | ESTIMATED DEMAND | PANEL TOTALS | | | | | | | | | | |
| HVAC | 16000 VA | 100.00% | 16000 VA | TOTAL CONN. LOAD: 40465 VA TOTAL EST. DEMAND LOAD: 33495 VA TOTAL CONN. LOAD (A): 112 A TOTAL EST. DEMAND (A): 93 A | | | | | | | | | | |
| Receptacle | 23940 VA | 70.89% | 16970 VA | | | | | | | | | | | |
| Power | 500 VA | 100.00% | 500 VA | | | | | | | | | | | |
| CLOCK | 25 VA | 100.00% | 25 VA | | | | | | | | | | | |
| NOTES: | | | | SQUARE D NQ PANEL OR EQUIVALENT | | | | | | | | | | |

KEY PLAN



| | |
|--------------------|------------------|
| ISSUE DATE | ISSUED FOR |
| 07/14/2023 | MEP Pre-Purchase |
| 08/03/2023 | Addendum 02 |
| DRAWN: Author | |
| CHECKED: Checker | |
| APPROVED: Approver | |



236 MILL STREET
ROCHESTER, MI
48307
T: 248.656.1377
frenchcia.com
© FRENCH associates, Inc.

PROJECT

Wayne RESA Beacon
Day Treatment Center
Relocation - Phase 1
BP1 MEP Pre-Purchase
Taylor, MI

SHEET

ELECTRICAL
PANEL LOAD
SCHEDULES

PROJECT NUMBER

2023-52

SHEET NUMBER

E505